



# BOLTED CONNECTIONS



Build Safe, Reliable and Enduring Structures  
with RSTEEL® Bolted Connections

Certified Quality Environment and Safety Management Systems



## BOLTED CONNECTIONS

RSTEEL®'s robotic welded, Inspecta certified high-quality Column shoes and Wall shoes along with base bolts are the perfect solutions for creating moment resisting connections for precast elements. Our bolted connections are designed according to Euro codes and have BY approval and produced according to EN 1090.

The colour-coded column shoe and Wall shoe system eases possible separations of foundations and columns for transportation and assembly.

### Features

- Instant load bearing connections ensure fast and secure assembling.
- Elimination of grout hardening times ensures flexible connection process and shortened construction time.
- Simpler precast element geometries due to minimised base plate geometries ensure cost effectiveness.
- Fast delivery through the use of standardised components.
- Extensive, flexible range of high quality connections available for any application.

### Base Bolts

RSTEEL® Base bolts transfer tension, compression and shear forces to reinforced concrete foundation Structures.

#### For moderate Loads



RPP BaseBolts

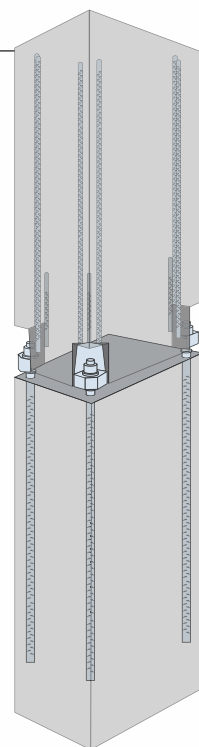
Sizes: M16, 20, 24, 30, 39

#### For High Loads



RPP-E Base Bolts

Sizes: M30, 36, 39, 45, 52, 60

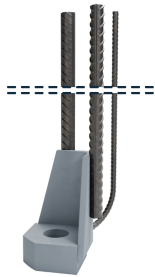


## Column Shoes

RSTEEL® Column shoe offers a safe and economic solution for rigid connection of precast concrete columns to foundations or for joining columns together. Stresses developed within the column are transferred to the column shoes, through the anchor bolts and across the grouted gap, to the adjoined structures e.g. to the foundations.

RPK-N2 Column Shoes are designed to correspond with the resistances of RPP Bolts, and correspondingly, RPK-E2 Column Shoes correspond with the resistances of RPP-E base Bolts

For moderate Loads



RPK-N Column Shoes

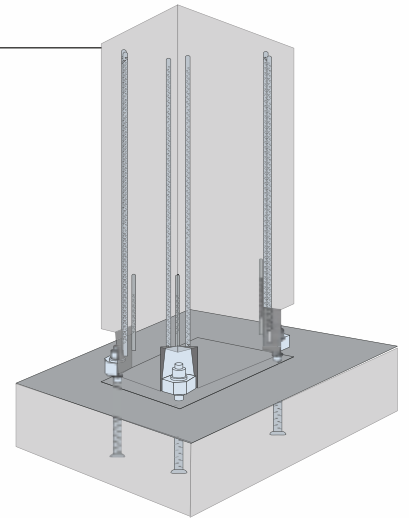
Sizes: M16, 20, 24, 30, 39

For High Loads



RPK-E Column Shoes

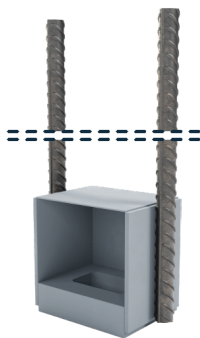
Sizes: M30, 36, 39, 45, 52



## Wall Shoes

RSTEEL® Wall shoes are cost-effective connecting elements inside bracing wall constructions. Wall shoes are fastening components that are used with RPP and RPP-E base bolts to create tension resisting connections across joints between two precast wall elements or between precast wall element and a site cast structure.

For moderate Loads



RSK-N Wall Shoes

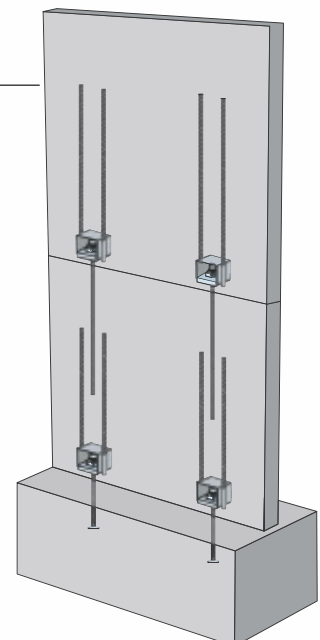
Sizes: M16, 20, 24, 30, 39

For High Loads



RSK-E Wall Shoes

Sizes: M30, 36, 39, 45, 52



# R-Group

**We have more than 50 years of experience in the precast concrete industry.**

R-Group is a Finnish leading global supplier of precast accessories and concrete connections. With more than 50 years of experience in the precast industry, RSTEEL® provides sustainable solutions for safe, reliable and long-lasting structures throughout the world. RSTEEL® comply with strict quality control in accordance with the guidelines of the Finnish and European Concrete Associations and the ISO 9001- ISO14001 certificates. We are dedicated to providing you with the best quality solutions at competitive prices.

## Sales Team

### FINLAND

Johannes Kivikangas  
+358 40 551 3979  
johannes.kivikangas@repo.eu

Tommi Kauramaa  
+358 45 204 5535  
tommi.kauramaa@repo.eu

### CENTRAL AND EASTERN EUROPE

Marvet Suurkivi  
+372 526 5480  
marvet@repo.eu

### WESTERN EUROPE AND NORWAY

Luis Cardoso  
+351 927 173 531  
luis.cardoso@repo.eu

### SWEDEN AND DENMARK

Ivans Kuzins  
+371 25 41 0762  
ivans.kuzins@repo.eu

### ASIA

Mimi Khalid  
+60 17 948 2439  
mimi.khalid@repo.eu

**Technical support :** Fatih Aydogmus, technical@repo.eu , +372 5190 7929

#### OUR WEB & SOCIAL NETWORK

 [www.rsteel.fi](http://www.rsteel.fi)  [info@repo.eu](mailto:info@repo.eu)  [/company/13220821/](https://www.linkedin.com/company/13220821/)

HEAD OFFICE  
R-GROUP BALTIC OÜ  
Kõrtsi tee 7/1, Lehmja küla,  
Rae Vald, 75306 Harjumaa, ESTONIA  
Mob. +372 578 396 76  
Email: info@repo.eu

