

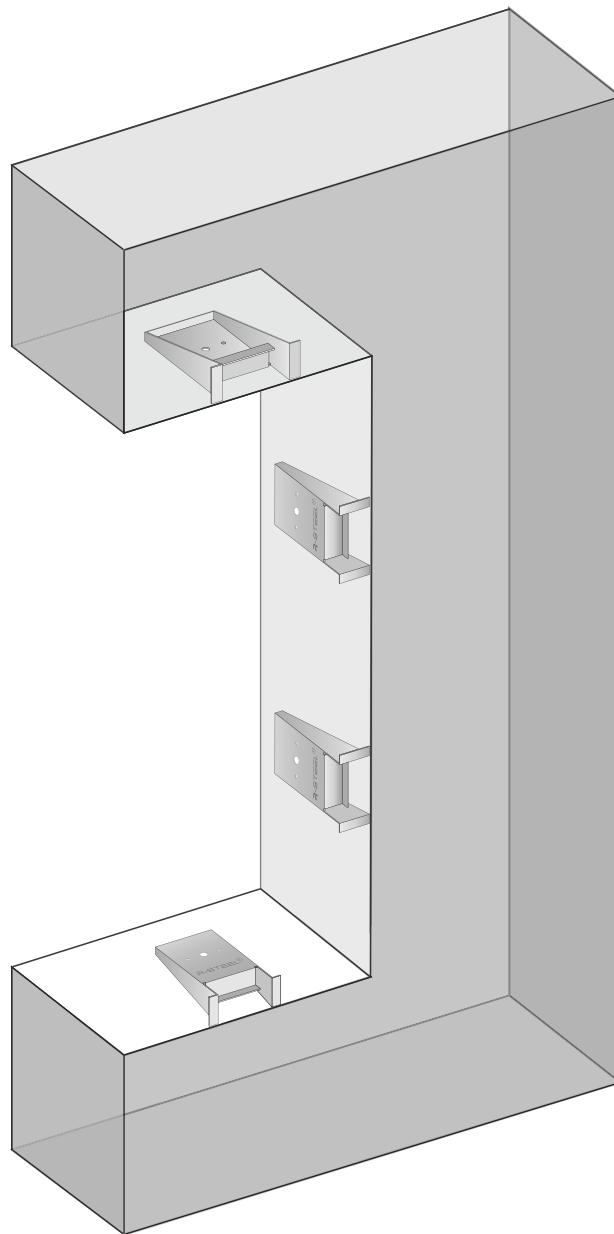
Technical Manual

Technical changes and errors reserved

K1, K2, K3 Frame Shoes

Design according to Eurocodes

Overview

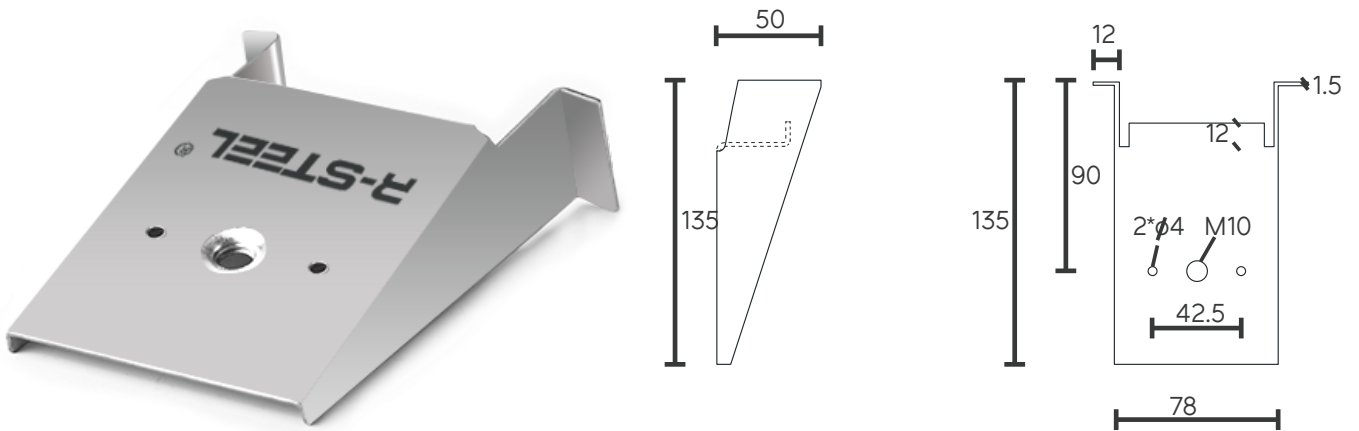


Frame Shoes are used in precast walls with door or window opening to eliminate drilling in concrete for the purpose of fixing their f rames. These f rame shoes already have screw / bolt for easy fixing of f rames in precast wall.

Frame shoes have three different Models :

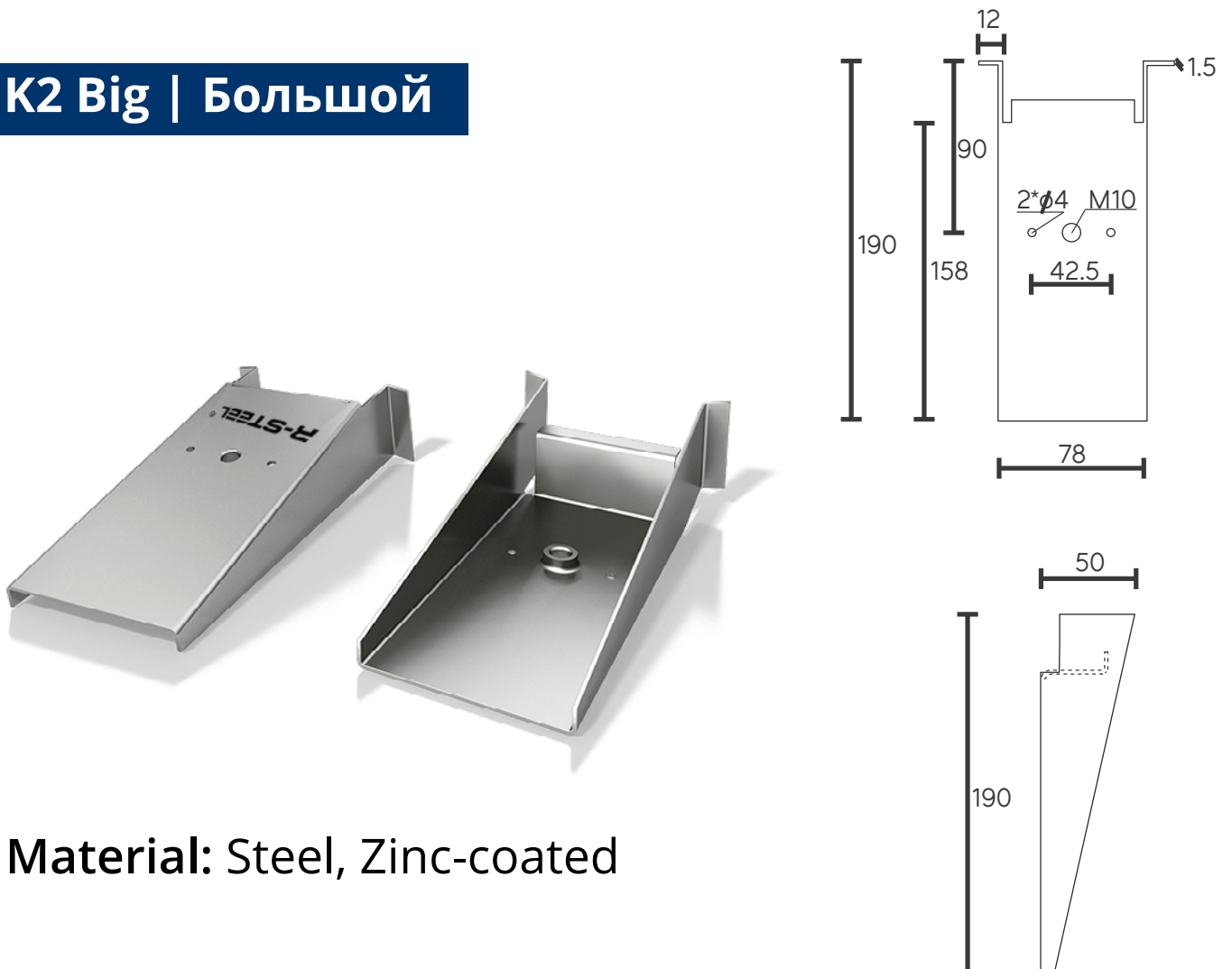
- K1 – Small. Steel, zinc-coated
- K2 – Big. Steel, zinc-coated
- K3 – Female. Steel, zinc-coated

K1 Small | Малый



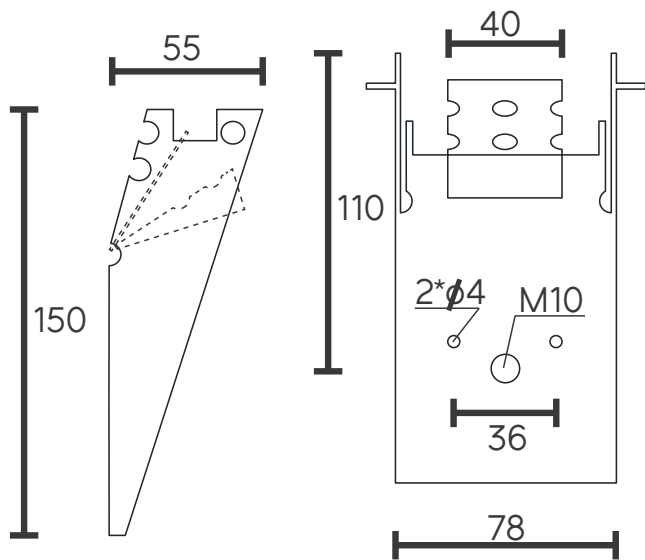
Material: Steel, Zinc-coated

K2 Big | Большой



Material: Steel, Zinc-coated

K3 Female | Женский



Material: Steel, Zinc-coated

About R-Group

R-Group is a leading provider of steel connections for precast and cast-in- situ construction around the globe.

With over three decades of our participation in huge projects, we don't compromise on quality or customer satisfaction and we create connections for a lifetime.

Our customer-oriented service, excellent and reliable network of suppliers plus our extensive product portfolio ensure that we are able to offer professional and flexible solutions for any kind of projects.



In our operations we comply with the ISO 9001 and 14001 standards

R-Group Finland Oy

Head Office:

Katajanokankatu 6B 12,
00160 Helsinki Finland
Tel : +358 (0)20 722 9420
VAT No. : FI- 2025044-5

RSTEEL®

-  www.repo.eu
-  info@repo.eu
-  [linkedin/rsteel](https://www.linkedin.com/company/rsteel)

R-Group Baltic OÜ

Lõõtsa 2B
11415 TALLINN
Mob. : +372 578 396 76



OOO R-Group

18A Bolshoj pr. V.O.
199034, St.Petersburg Russia
Tel : +358 (0)20 722 9420
+372 578 396 76

R-Group Gulf FZE

PO Box 14755
Ras Al Khaymah U.A.E
Tel : +971 505119223
+91 840 894 45 78

© 2018 R-Group Finland OY. All rights reserved.
This manual may not be reproduced in whole
or in part without the prior written approval of
R-Group Finland OY